

MMCTECH Seed Conditioning & Processing Solutions Partner



BATCH TYPE SEED COATING MACHINE

ASBC 50

AKYUREK BATCH TYPE SEED COATING MACHINE

AKYUREK BATCH type SEED COATING MACHINE is a fully automatic seed spraying machine designed to be installed in a seed processing line. The operator adjusts all necessary parameters via the display, Weight, shaft speed, dosing timing of the slurries, etc. After running the BATCH SEED COATING MACHINE, the seeds are weighed by an internal weigher using the electronic loadcell. Pre-weighed seeds are automatically filled in the mixing chamber.

The dosage settings of the different slurries are made according to the operator's setting. A PLC controls the seeding process, which is the heart of the process. Repeatable operation for this batch is guaranteed for each batch. The entire machine is ready for operation, only the main power supply connection and the compressed air supply connection are required.

There is also a mouth on the ASBC 50 for the connection of the existing ventilation system and the ventilation system must be supplied locally or an individual extractor can be used. Dosage adjustment lines for slurries should be connected to the chemical tank using flexible hoses.

As it is known, the first basic point of plant growth is seed. As long as there are no good seeds, no matter how much the cultivation and maintenance conditions are improved, it is not possible to raise the yield and quality to the desired level. For this reason, on the one hand, as the breeding technique is being developed, it is mainly aimed at improving the varieties, increasing the yield, increasing the quality and also making efforts for the best use of the seed. One of the common methods used for this is the seed coating method.

"ASBC 50" Seed Coating Machine covers the seed with the help of liquid and powder additives by forming a protective shell in the outer zone. This; In the upper part, a product weighing hopper, a powder additive feeder hopper, a liquid additive feeder transparent tube and a rotary table running at the bottom with an electric power perpendicular to the axis are used. These operations can easily be observed and controlled by means of control panel and weighing indicators.

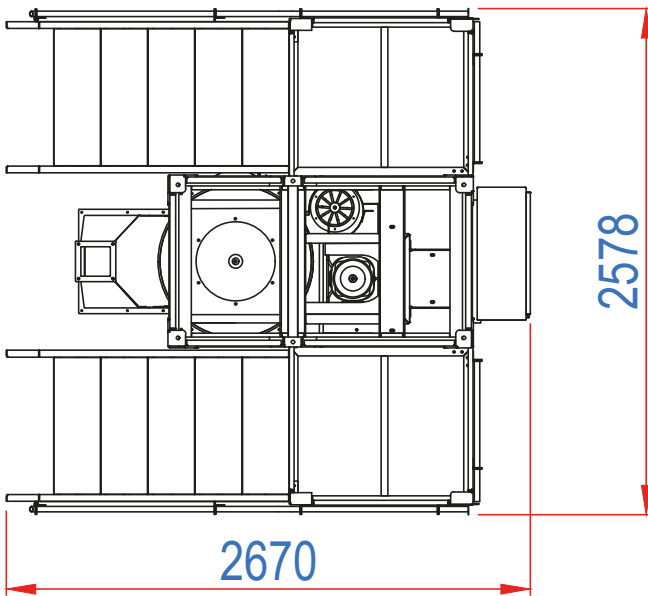
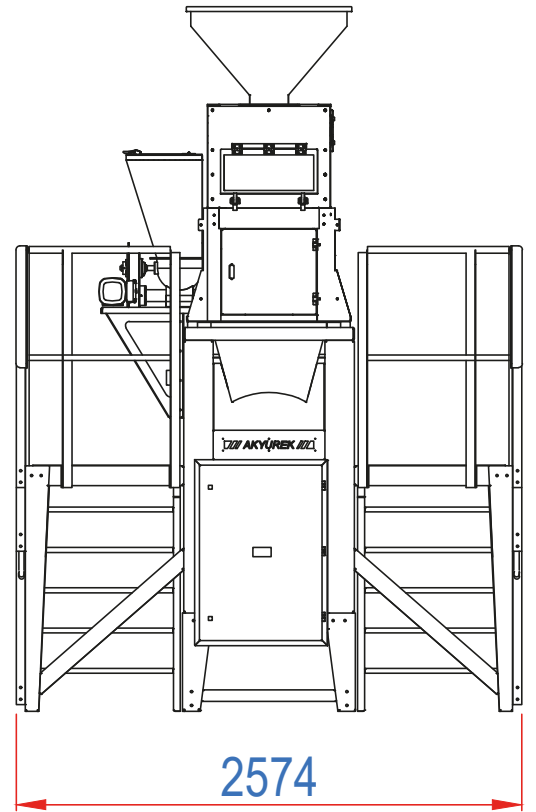
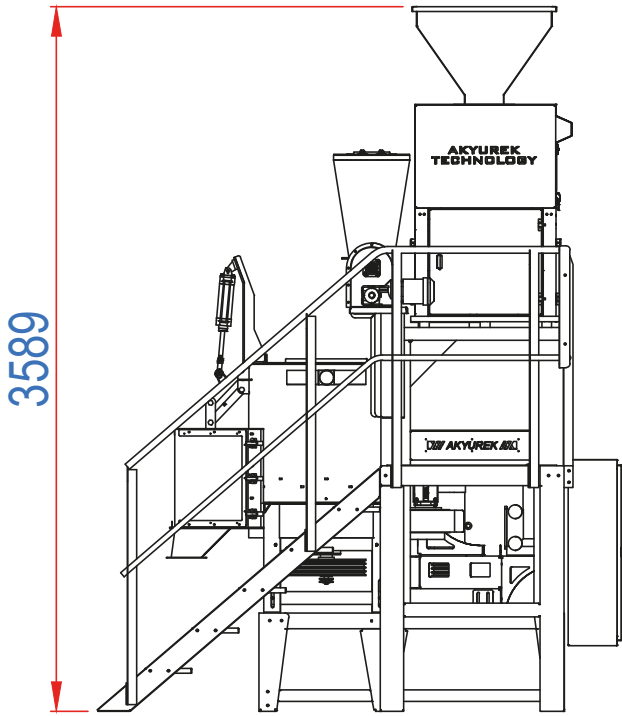
WORKING PRINCIPLE

With the help of the fast filling system, the product which has filled the weighing bowl is discharged into the rotating table in the lower body of the machine. According to the specified material order, powder additive and liquid additives are added to the mixture and they are subjected to the swirling movement in the direction of turning the rotary table. When the mixing process is finished, the discharge flap is opened with the aid of the pneumatic pistons and the mixed product is discharged from the body by the acceleration generated by its own centrifugal force and travels through the discharge chamber.

TECHNICAL DATA

Engine	: 5,5 kW 970 RPM
Powder Feeding Unit	: 0,37 kW 70 RPM
Aspirator Motor	: 0,37 kW 2800 RPM
Pump Motor	: 0,37 kW Speed Controlled
Capacity	: 5-7 t/h
Power Supply	: 3/N/PE, 400V, 50 Hz, min 25A
Pneumatic	: 2,0 Nm ³ /s. 6 Bar
Ventilation	: 300 m ³ /s @ p=1,5kPa
*Single Charging Time	: 20-25 sc
*Weighing Habits	: 0.1m ³ (Fast Filling Feature)
One Time Product	: Up to 50 Kg
Material scaling	: With Loadcell
Scaling liquid additives	: With the help of a scaled tube
Drive motor power	: 5.5 kW
Air pressure required	: 6-7 bar
Material rotation speed	: 11m/s
Mixing Room	: Up to 50 kg for wheat
Weighing	: Feeding with large flow flaps (slides) using electronic loadcell (with option hand feeder tape)
Fluid Dosing	: Glass cylinders, pumps and flow meters and mass measurement systems are available.
Powder Feeders	: Optional equipment

TECHNICAL DRAWING



BATCH TYPE SEED COATING MACHINE - ASBC 50

