



**Sesame Peeler – SP-4000**



## SESAME PEELER - SP-4000

Mmctech's Sesame Peeler SP-4000 is a precise and efficient friction type dehulling units applicable for processing all kinds and types of Sesame seed peeling.

- Fully enclosed Hygienic Operation.
- Minimised utility bills comparison to other traditional methods of peeling.
- No chemical or salt used during Sesame Peeling Process.
- High quality product without modifying Sesame's natural properties.
- Improved peeling systems via Innovative technology.
- The peeling system is made of three cylinders.
- For optimum and high yield peeling process the first cylinder mixes the seeds with water in a continual and homogeneous way.
- For peeling process second cylinder creates friction between the seeds.
- The third cylinder continues the friction process with the same friction technique, so an optimum and high quality result obtained with process repeat.
- Regulation of input parameters control via on board PLC Panel.

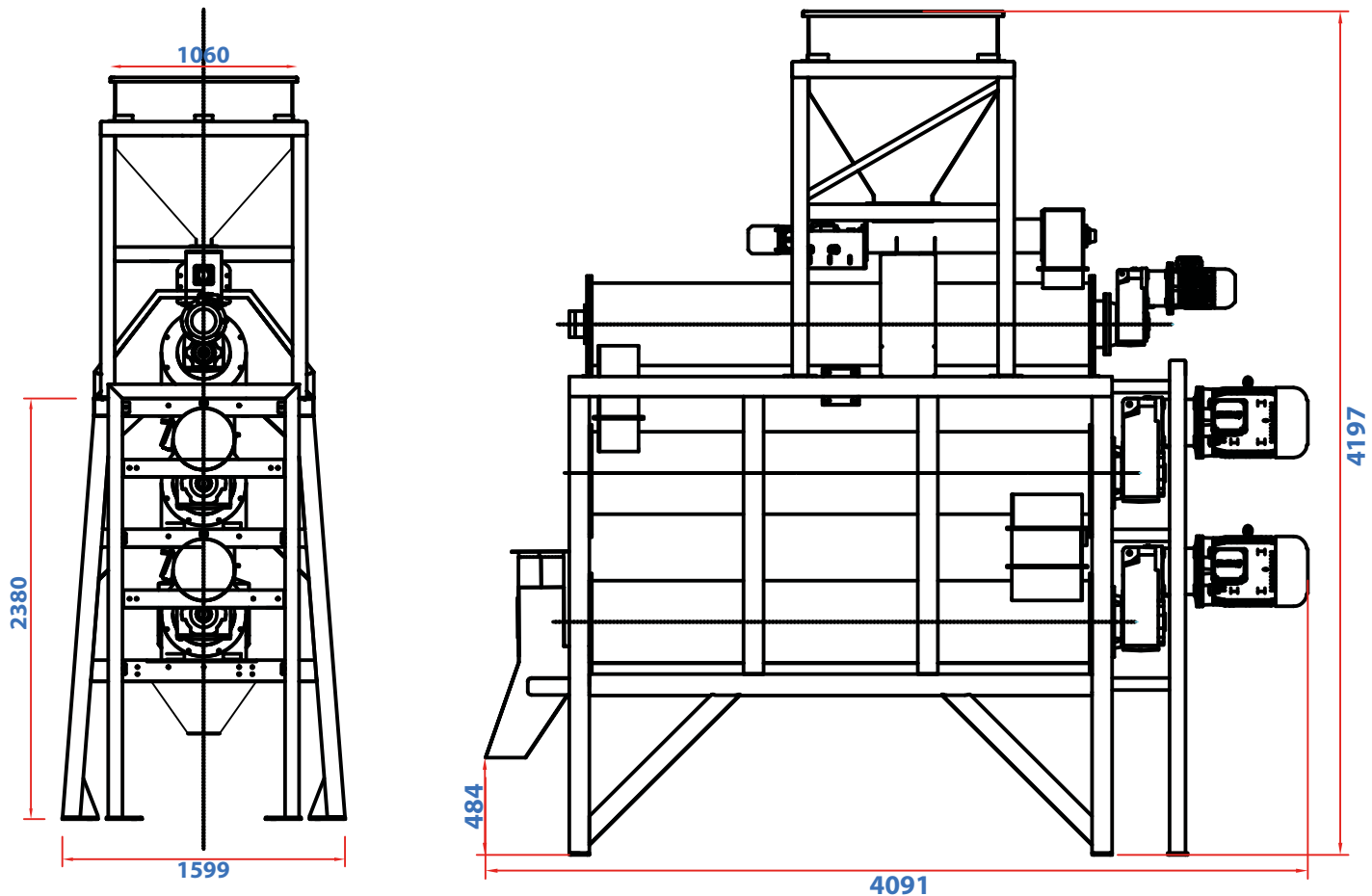
## TECHNICAL DATA

<b>CAPACITY</b>			
<b>MODEL</b>	<b>SP-4100</b>	<b>SP-4200</b>	<b>SP-4500</b>
	750 kg to 1,0 tph	1,5 to 2,0 tph	2,25 to 3,0 tph
<b>Technical Data</b>			
Cylinder Motors	45 kW	90 kW	135 kW
Weight	2,7500 kg	5,250 kg	7,950 kg
Aspiration Air	N/A	N/A	N/A
Water Requirement	80 lt/tn	80 lt/tn	80 lt/tn

# Sesame Peeler



## TECHNICAL DRAWING



# SESAME PEELER - SP-4000

