



Plastic Bucket Elevator

Function

P-ELEV 0012 Elevator is necessary vertical transportation of all grains, seed and pulse crops. Akyurek Production can accommodate all necessary height and capacity requirements. There are both fixed and portable model of the machine.

Working Principle

'Gravity assisted discharge' or 'Centrifugal discharge' elevator can elevate a variety of bulk materials from light to heavy and from fine to large lumps. P-ELEV 0012 elevator picks up load from boot, pit, or a pile of material at the foot pulley and convey from fine to large lumps. P-ELEV 0012 elevator picks up load from boot, pit, or a pile of material at the foot pulley and convey to the discharge chute.

Design

Akyurek Bucket Elevators are available in the typical 'Gravity Assisted Discharge' or 'Centrifugal discharge' configuration, design to the customers' needs.

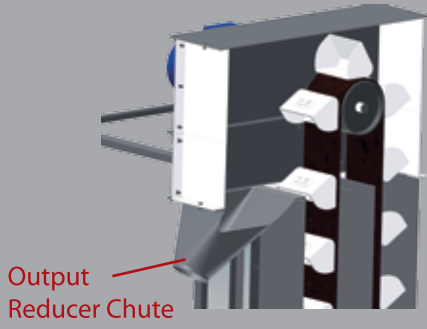
Distinguishing Features

- * Full factory assembled
- * Highly flexible construction to meet a wide range of requirements (height, belt width, belt speed and belt quality) and to suit individual plant layouts.
- * Acrylic Antistatic Owen Powder Painted finish Incorporating belt rolls of hard-wearing material.
- * The elevator construction All Through nut Bolt and Gasket connected for easy maintenance or future extension.
- * Totally enclosed design offering maximum security during operation.
- * Low maintenance costs and one-year parts warranty.
- * Up to 25 meter self supporting structure
- * ISO 9001 CE certified equipment.
- * Atex certificated production on demand.

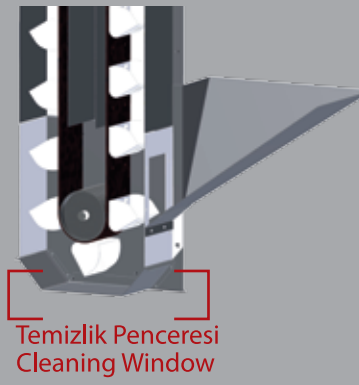
Standard Production

- * Fully factory assembled
- * Complete with geared motor
- * Standard height is 4,0 m.
- * Elevator chain guard.
- * The elevator components are Laser Cut Steel for precise manufacturing.
- * The elevator construction All Through nut Bolt and Gasket connected for easy maintenance or future extension.
- * The elevator is All Through Paint: Acrylic Antistatic Owen Powder Painted.
- * Paint Code: 9100
- * ISO 9001 EU Certified Equipment **CE**
- * Low maintenance costs and one-year parts warranty.

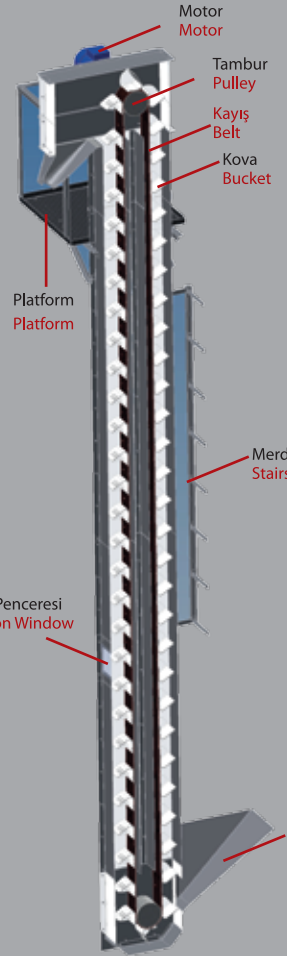




Output Reducer Chute



Temizlik Penceresi
Cleaning Window

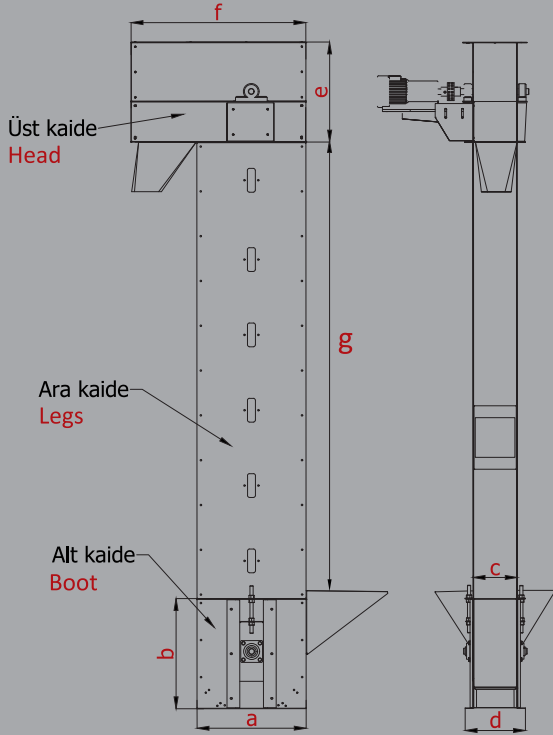


Platform
Platform

Gözlem Penceresi
Inspection Window

Merdiven
Stairs

Havuz
Hopper

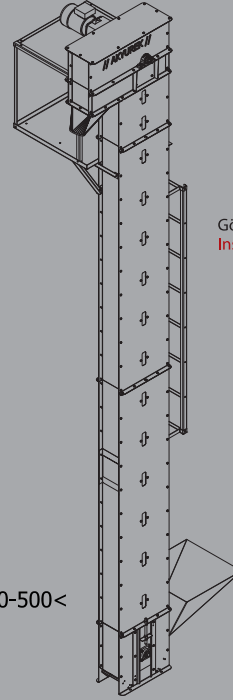


Üst kaide
Head

Ara kaide
Legs

Alt kaide
Boot

uzunluk=>2300-2000-1500-1000-500<
height



P.ELEV-0012 Teknik Cetvel	Ölçüler							Kapasite	Motor Gücü	Standart Volt	Opsiyonel Volt	Yapı Malzemeleri	Kova Genişlikleri	Metre Başı Kova Adedi	Kova Yapı Malzemeleri	Kayış Opsiyonları
Tech Chart P.ELEV-0012	Dimensions							Capacity	Engine Power	Standard Volt	Optional Voltage	Construction Options	Bucket Width	Buckets Per/meter	Buckets type Options	Belt Options
Models	a	b	c	d	e	f	g									
100	460	424	173	254	441	780	0,5m	3,75 m ³ /hr	0,55 Kw 70 RPM	380 volt	220-440 volt	Karbon Çelik Tüm yada Ürün Katak Krom - Galvanizli	100 mm	7	Plastik Karbon Çelik Krom	PVC- Kauçuk-
150	550	555	222	300	500	880	0-5m	7,1 m ³ /hr	0,75 Kw 80 RPM				150mm	5		
200	706	706	285	365	660	1110	0-5m	19,3 m ³ /hr	1,1 Kw 80 RPM				200mm	4		
250	785	825	370	450	680	1200	0-5m	22,5 m ³ /hr	1,5 Kw 63 RPM			Carbon Steel All or Part Stainless Steel Galvanized	250mm	4	Plastic Carbon Steel	PVC- Rubber-
300	1000	1100	410	575	905	1525	0-5m	32,4 m ³ /hr	2,2 Kw 63 RPM			Galvanized	300mm	3	Chrome	

Yukarıda ki tablo örnek amaçlı sunulmuştur. Daha yüksek kapasite ve yükseklikte elevatörlerin detayları talebiniz üzeri değerlendirmenize sunulmaktadır.
Above chart is for guiding purposes. Akurek manufactures larger capacity and taller elevators and their specs are available up on your request.

MMCTECH: Seed Machines & Equipment with Automation Solutions

www.mmctech.us

info@mmctech.us